

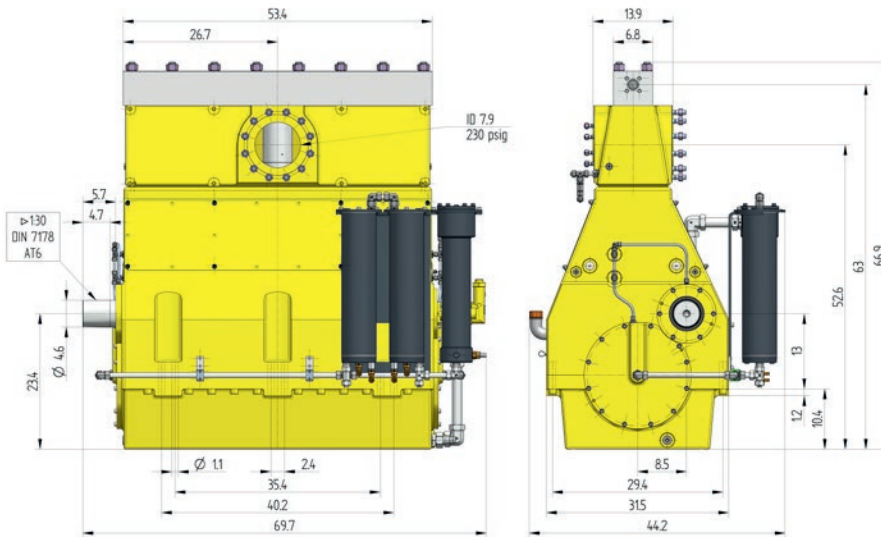
HAMPRO MC Process Plunger Pump



Hammelmann process pumps are built to operate at the continuous maximum duty stated in the performance parameters. Just compare the crankshaft speed, average plunger speed, plunger diameter and power rating.

Process Plunger Pump

Weight: approx. 11,819 lbs



Dimensions: inches

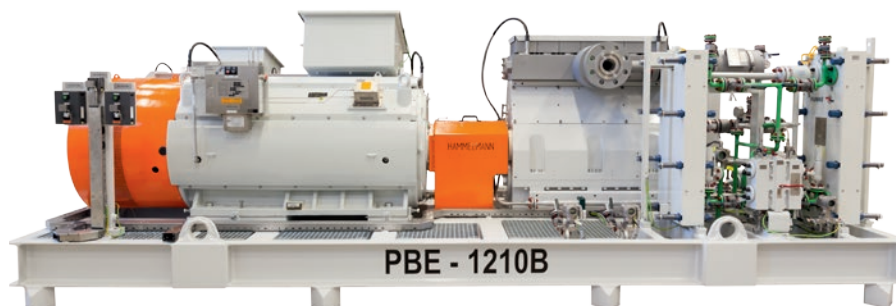
Features

- Power ratings up to 1500 HP
- Vertical 7 cylinder design

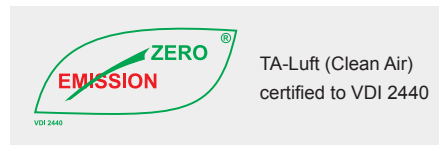


The bellow system is gastight.

Stationary unit with electric motor



Zero Emission



In the Zero Emission design the pumped fluid is hermetically sealed within the pump preventing leakage to atmosphere during operation.

Detailed dimensional drawings and weights available on request.

Quality and reliability

- Crank section calculation by 'Finite element method' ensures long working life under continuous load
- Stainless steel pump head free of alternating stress
- Integral speed reduction gear
- Pressurised oil lubrication system with oil cooler/filter
- Bellows form hermetic seal between the suction chamber and crank section
- Large selection of materials available for different fluids
- Minimum crankshaft speed with external oilpump 50 r.p.m.

Technical data, series HAMPRO MC

Performance parameters (Standard design)

| HAM PRO | Q** [GPM] | Required power rating [HP] | | | D [mm] | r.p.m. | |
|---------|-----------|----------------------------|-------|-------|--------|-----------|------|
| | | 950 | 1250 | 1500 | | n1 | n2 |
| | | Operating pressure [psig] | | | | | |
| MC4 | 33 | 43512 | | | 28 | 1500 | 320 |
| | 32 | 37710 | 43512 | | | 1368/1628 | *350 |
| | 47 | 30458 | 39161 | | | 1800 | 460 |
| | 43 | 32489 | | | 32 | 1500 | 320 |
| | 44 | 29733 | 37710 | | | 1368/1628 | *350 |
| | 63 | 22626 | 28718 | 35100 | | 1800 | 460 |
| | 52 | 26832 | | | 35 | 1500 | 320 |
| | 54 | 24657 | 31184 | | | 1368/1628 | *350 |
| 76 | 18855 | 23932 | 30458 | 1800 | | 460 | |

| | | | | | | | |
|-----|-----|-------|-------|-------|----|-----------|------|
| MC3 | 71 | 21031 | | | 40 | 1500 | 320 |
| | 72 | 18855 | 23932 | | | 1368/1628 | *350 |
| | 101 | 14359 | 18130 | 22336 | | 1800 | 460 |
| | 89 | 16680 | | | 45 | 1500 | 320 |
| | 92 | 14504 | 19145 | | | 1368/1628 | *350 |
| | 129 | 11313 | 14359 | 17550 | | 1800 | 460 |

| | | | | | | | |
|-----|------|-------|-------|-------|----|-----------|------|
| MC2 | 111 | 13489 | | | 50 | 1500 | 320 |
| | 115 | 12038 | 15374 | | | 1368/1628 | *350 |
| | 160 | 9138 | 11603 | 14214 | | 1800 | 460 |
| | 133 | 11168 | | | 55 | 1500 | 320 |
| | 142 | 10008 | 12764 | | | 1368/1628 | *350 |
| | 192 | 7542 | 9573 | 11748 | | 1800 | 460 |
| | 159 | 9283 | | | 60 | 1500 | 320 |
| | 170 | 8412 | 10733 | | | 1368/1628 | *350 |
| | 232 | 6382 | 8122 | 9863 | | 1800 | 460 |
| | 188 | 7977 | | | 65 | 1500 | 320 |
| | 201 | 7107 | 9138 | | | 1368/1628 | *350 |
| | 276 | 5366 | 6817 | 8412 | | 1800 | 460 |
| | 218 | 6817 | | | 70 | 1500 | 320 |
| | 235 | 6092 | 7832 | | | 1368/1628 | *350 |
| | 320 | 4641 | 5947 | 7252 | | 1800 | 460 |
| | 251 | 5947 | | | 75 | 1500 | 320 |
| | 271 | 5366 | 6817 | | | 1368/1628 | *350 |
| | 367 | 4061 | 5221 | 6237 | | 1800 | 460 |
| | 277 | 5221 | | | 80 | 1500 | 320 |
| | 311 | 4641 | 5947 | | | 1368/1628 | *350 |
| 404 | 3481 | 4496 | 5512 | 1800 | | 460 | |

| | | | | | | | |
|------------------|-----|------|------|------|-----|-----------|------|
| MC1 high flow | 277 | 5221 | | | 80 | 1500 | 320 |
| | 311 | 4641 | 5947 | | | 1368/1628 | *350 |
| | 404 | 3481 | 4496 | 5512 | | 1800 | 460 |
| | 312 | 4641 | | | 85 | 1500 | 320 |
| | 351 | 3626 | 5366 | | | 1368/1628 | *350 |
| | 459 | 3191 | 4061 | 4931 | | 1800 | 460 |
| | 354 | 4061 | | | 90 | 1500 | 320 |
| | 394 | 3626 | 4786 | | | 1368/1628 | *350 |
| | 517 | 2756 | 3626 | 4351 | | 1800 | 460 |
| | 441 | 3336 | | | 100 | 1500 | 320 |
| | 490 | 3046 | 3771 | | | 1368/1628 | *350 |
| | 645 | 2321 | 2901 | 3481 | | 1800 | 460 |
| | 539 | 2756 | | | 110 | 1500 | 320 |
| | 594 | 2466 | 3191 | | | 1368/1628 | *350 |
| | 789 | 1886 | 2393 | 2901 | | 1800 | 460 |

Data

- Rod force: 47,210 lbf
- Stroke: 3.9 inch
- Mean plunger speed at n2
320 r.p.m. = 3.5 ft/sec
350 r.p.m. = 3.5 ft/sec
460 r.p.m. = 5.1 ft/sec

Certificates

- Machine directive 2006/42/EU
- ATEX 94/9/EU
- API 674 (with deviations)
- TA-Luft
- NORSOK M501
- NORSOK M650
- NACE MR0175

Standards

- DIN EN ISO 9001
- DIN EN ISO 14001
- DIN EN ISO 50001
- BS OHSAS 18001
- ASME-U
- Achilles
- EAC



Hammelmann plunger pumps convert 93 to 98 % of the shaft power to hydraulic energy.

** Data refer to the medium water (compressibility considered)
* Speed limit for continuous service according to API 674 – 6.3.1

D = Plunger diameter
n1 = Motor/Engine r.p.m.
n2 = Crankshaft r.p.m.

Hammelmann Corporation
436 Southpointe Drive
Miamisburg, OH 45342

www.hammelmann.us
mail@hammelmann.com
Phone: +1 937-859-8777



Member of
INTERPUMP GROUP

HAMMELMANN®