

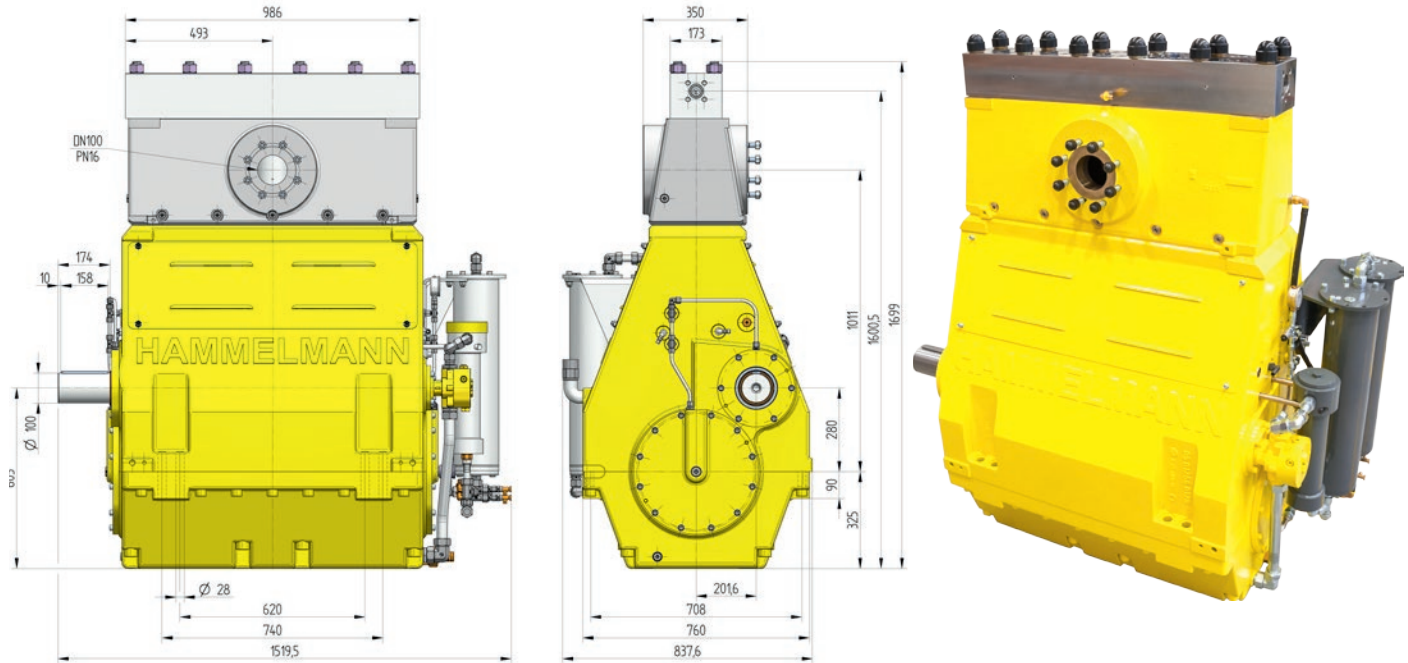
HAMPRO 800 Process Plunger Pump

HAMMELMANN®

Hammelmann process pumps are built to operate at the continuous maximum duty stated in the performance parameters. Just compare the crankshaft speed, average plunger speed, plunger diameter and power rating.

Process Plunger Pump

Weight: approx. 3700 kg



Dimensions: mm

Stationary unit with electric motor



Detailed dimensional drawings and weights available on request.

Features

- Power ratings up to 800 kW
- Vertical 5 cylinder design

Zero Emission



In the Zero Emission design the pumped fluid is hermetically sealed within the pump preventing leakage to atmosphere during operation.



The bellow system is gastight.

Quality and reliability

- Crank section calculation by 'Finite element method' ensures long working life under continuous load
- Stainless steel pump head free of alternating stress
- Integral speed reduction gear
- Pressurised oil lubrication system with oil cooler/filter
- Bellows form hermetic seal between the suction chamber and crank section
- Large selection of materials available for different fluids
- Minimum crankshaft speed with external oil pump 50 r.p.m.

Technical data, series HAMPRO 800

Performance parameters (Standard design)

HAM PRO	Q** [l/min]	Q** [m³/h]	Required power rating [kW]			D [mm]	r.p.m.	
			500	630	800		n1	n2
			Operating pressure [bar]					
804	87	5,2	3000			28	1500	315
	85	5,1	2600	3000			1362/1660	*350
	129	7,7	2100	2600	3000		1800	465
	114	6,8	2250			32	1500	315
	117	7,0	2000	2550	2600		1362/1660	*350
	168	10,1	1520	1920	2440		1800	465
	139	8,3	1850	2200		35	1500	315
	144	8,6	1650	2100	2150		1362/1660	*350
203	12,2	1250	1600	2100	1800		465	

803	188	11,3	1430	1670		40	1500	315
	195	11,7	1250	1630	1670		1362/1660	*350
	277	16,6	980	1230	1570		1800	465
	238	14,3	1130	1320		45	1500	315
	250	15,0	1000	1290	1320		1362/1660	*350
	353	21,2	770	970	1240		1800	465

802	297	17,8	920	1070		50	1500	315
	314	18,8	820	1040	1060		1362/1660	*350
	437	26,2	630	790	1000		1800	465
	357	21,4	760	880		55	1500	315
	385	23,1	680	860	880		1362/1660	*350
	522	31,3	520	650	830		1800	465
	430	25,8	640	740		60	1500	315
	463	27,8	570	720	740		1362/1660	*350
	628	37,7	430	550	690		1800	465
	509	31	540	630		65	1500	315
	546	33	490	610	630		1362/1660	*350
	745	45	370	470	590		1800	465
	591	35	470	540		70	1500	315
	638	38	420	530	540		1362/1660	*350
	864	52	320	400	510		1800	465
	675	41	410	470		75	1500	315
	733	44	360	460	470		1362/1660	*350
	992	60	280	350	440		1800	465
	748	45	360	410		80	1500	315
	840	50	320	400	410		1362/1660	*350
1094	66	240	310	390	1800		465	

801 High flow	748	45	360	410		80	1500	315
	840	50	320	400	410		1362/1660	*350
	1094	66	240	310	390		1800	465
	844	51	310	370		85	1500	315
	950	57	280	360	370		1362/1660	*350
	1241	74	210	270	340		1800	465
	957	57	280	330		90	1500	315
	1070	64	250	320	330		1362/1660	*350
	1399	84	190	240	310		1800	465
	1193	72	230	260		100	1500	315
	1325	80	200	260			1362/1660	*350
	1745	105	150	190	250		1800	465
	1459	88	190	220		110	1500	315
	1608	96	170	210	220		1362/1660	*350
	2133	128	130	160	200		1800	465

Data

- Rod force: 210 kN
- Stroke: 100 mm
- Mean plunger speed at n2
315 r.p.m. = 1,06 m/sec
350 r.p.m. = 1,17 m/sec
465 r.p.m. = 1,54 m/sec

Certificates

- Machine directive 2006/42/EU
- ATEX 94/9/EU
- API 674 (with deviations)
- TA-Luft
- NORSOK M501
- NORSOK M650
- NACE MR0175

Standards

- DIN EN ISO 9001
- DIN EN ISO 14001
- DIN EN ISO 50001
- BS OHSAS 18001
- ASME-U
- Achilles
- EAC



Hammelmann plunger pumps convert 93 to 98 % of the shaft power to hydraulic energy.

** Data refer to the medium water (compressibility considered)
* Speed limit for continuous service according to API 674 – 6.3.1

D = Plunger diameter
n1 = Motor/Engine r.p.m.
n2 = Crankshaft r.p.m.

Hammelmann GmbH
Carl-Zeiss-Straße 6–8
59302 Oelde • Germany

www.hammelmann-process.com
mail@hammelmann.de
Tel: +49 (0) 25 22/76 - 0



Member of
INTERPUMP GROUP

HAMMELMANN®